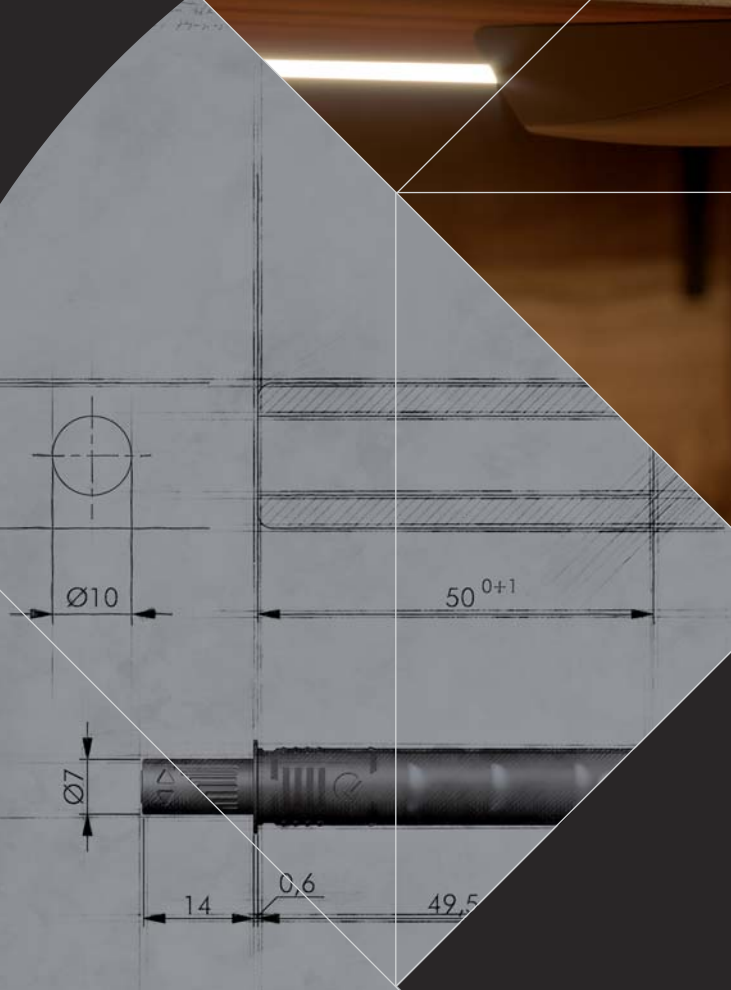


K PUSH TECH



**PUSH CATCHES
AND MAGNETIC
CATCHES**



K PUSH TECH

K PUSH TECH is the fully renewed and extended program of automatic opening systems for doors without handles or knobs. A special inner mechanism provides a very silent, yet powerful utilization, granting a long durability which makes it perfectly suitable for a wide range of doors. K PUSH TECH is available with buffer, for cabinets using sprung hinges, and with magnet, for cabinets using unsprung hinges or negative hinges. The aesthetic of buffers is now improved and the range of catch plates for version with magnet is even wider.

It comes with a fresh new and even more captivating design, together with an extended program, including an innovated range of spring strengths, in order to guarantee the correct functioning even with large and heavy doors, and three lengths of the output paths: Short – 14 mm, Medium – 20 mm, Long – 37 mm.

The same reference can be installed either concealed or visible, fixed with adapter housing.

The visible versions' package is composed of: push-to-open system, adapter plate and adapter housing. The new adapter housing allows to pre-install K PUSH TECH with the plate on the side of the cabinet and leave the ejector pin deactivated during its handling and transportation. The suitability of the small adapter housing for both short and medium size versions guarantees a simplified stock management.

It comes with a wide range of colors: white, grey 19 and black anthracite.

Gap between door and cabinet is reduced: activation gap is 1,4 mm, ring thickness is 0,6 mm.

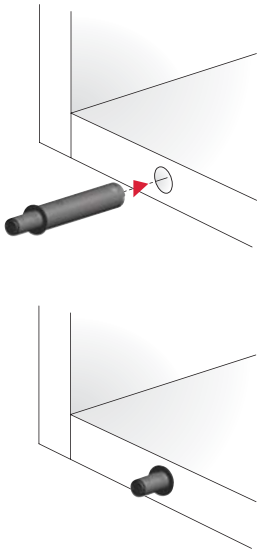
Increased adjustment feature: +6 / -0,45 mm. Beyond this negative adjustment the spring is deactivated.

This feature allows to disable the ejector pin for safety reasons.

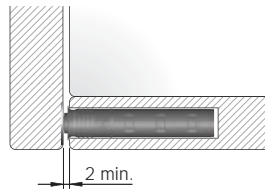


PATENT PENDING
REGISTERED DESIGN
Certificates available on request.

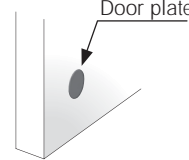
INSTALLATION TO BE EMBEDDED INSIDE THE PANEL



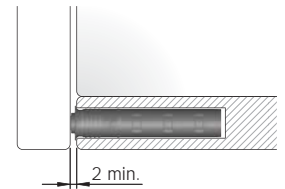
WITH MAGNET
for cabinets using **unsprung hinges** or **negative hinges**.



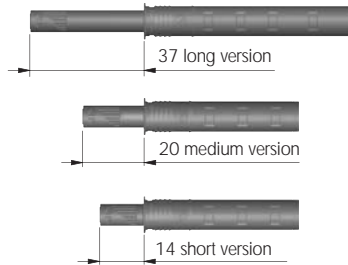
For details refer to
"K PUSH TECH AND
K LOCK DOOR PLATES".



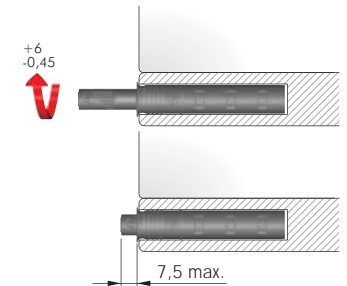
WITH BUFFER
for cabinets using **sprung hinges**.



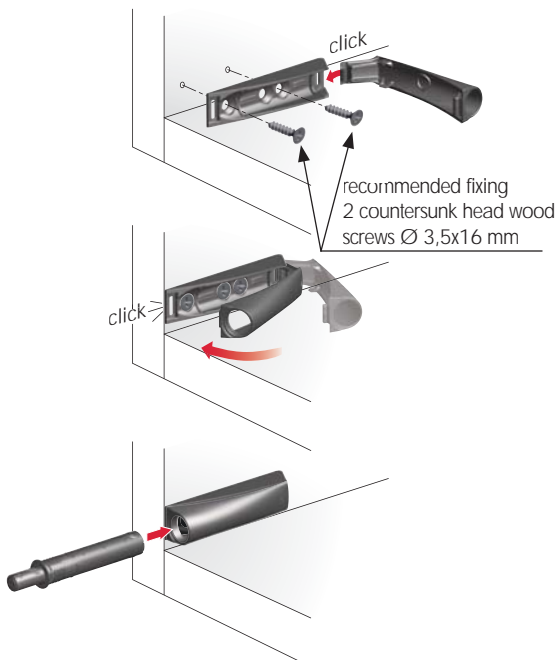
VERSIONS



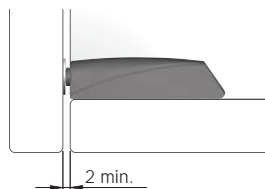
ADJUSTMENTS



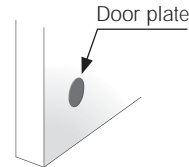
INSTALLATION THROUGH ADAPTER HOUSING



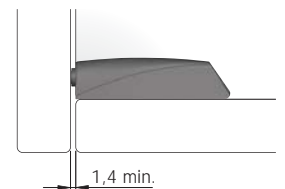
WITH MAGNET
for cabinets using **unsprung hinges** or **negative hinges**.



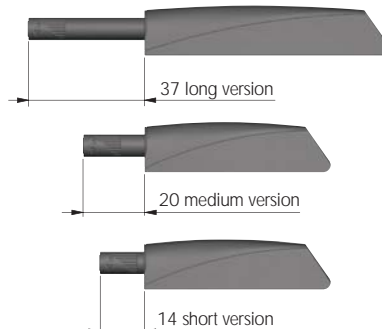
For details refer to
"K PUSH TECH AND
K LOCK DOOR PLATES".



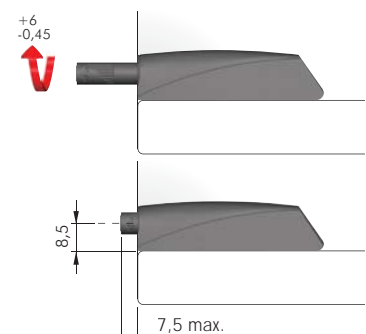
WITH BUFFER
for cabinets using **sprung hinges**.



VERSIONS

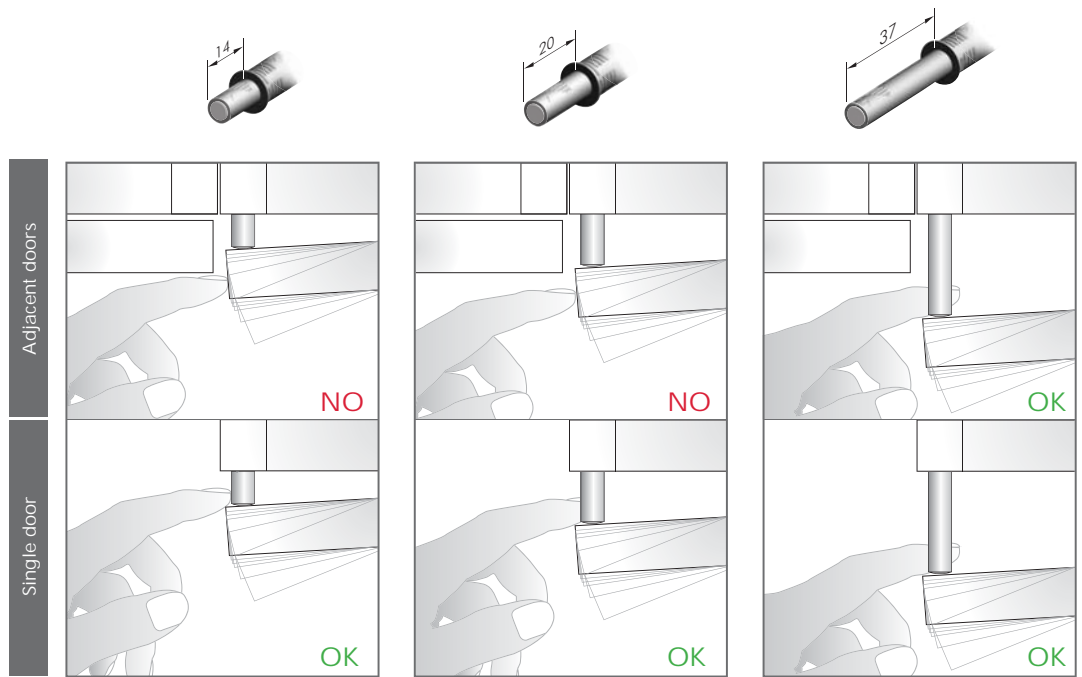
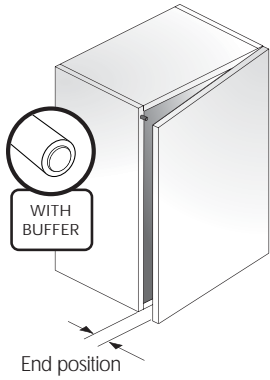


ADJUSTMENTS

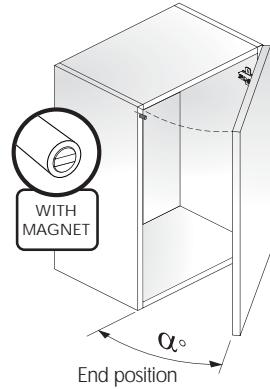
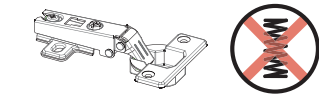




APPLICATION WITH SPRUNG HINGES



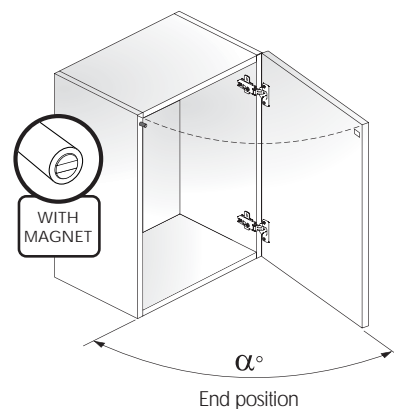
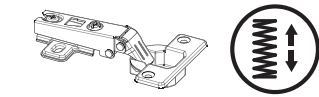
APPLICATION WITH UNSPRUNG HINGES



| Door dimensions | Range weight | Indicative α° end door position | | | | |
|------------------|--------------|---|----------------|----------------|----------------|----------------|
| | | 14 | 20 | 20 (STRONG) | 37 | 37 (STRONG) |
| Small door size | 2 - 5 kg | $\pm 30^\circ$ | $\pm 37^\circ$ | $\pm 40^\circ$ | $\pm 55^\circ$ | $\pm 70^\circ$ |
| Medium door size | 5 - 8 kg | $\pm 25^\circ$ | $\pm 30^\circ$ | $\pm 35^\circ$ | $\pm 45^\circ$ | $\pm 50^\circ$ |
| Large door size | 15 - 18 kg | $\pm 20^\circ$ | $\pm 28^\circ$ | $\pm 30^\circ$ | $\pm 40^\circ$ | $\pm 45^\circ$ |
| Maxi door size | 30 - 35 kg | - | $\pm 20^\circ$ | $\pm 25^\circ$ | $\pm 30^\circ$ | $\pm 35^\circ$ |

Small and Medium door size tested with 2 hinges. Large and Maxi size doors tested with 5 hinges. Please note that test results are indicative. End door position may vary depending on hinge brand.

APPLICATION WITH NEGATIVE HINGES

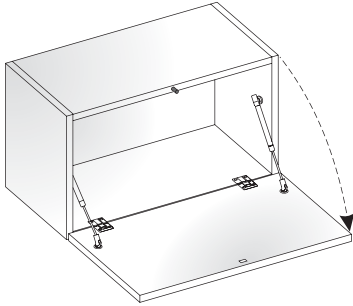


| Door dimensions | Range weight | Indicative α° end door position | | | | |
|------------------|--------------|---|----------------|----------------|-----------------|-----------------|
| | | 14 | 20 | 20 (STRONG) | 37 | 37 (STRONG) |
| Small door size | 2 - 5 kg | $\pm 85^\circ$ | $\pm 90^\circ$ | $\pm 95^\circ$ | Over 95° | Over 95° |
| Medium door size | 5 - 8 kg | $\pm 70^\circ$ | $\pm 85^\circ$ | $\pm 90^\circ$ | Over 95° | Over 95° |
| Large door size | 15 - 18 kg | $\pm 40^\circ$ | $\pm 50^\circ$ | $\pm 60^\circ$ | $\pm 70^\circ$ | $\pm 80^\circ$ |
| Maxi door size | 30 - 35 kg | - | $\pm 35^\circ$ | $\pm 40^\circ$ | $\pm 50^\circ$ | $\pm 60^\circ$ |

Small and Medium door size tested with 2 hinges. Large and Maxi size doors tested with 5 hinges. Please note that test results are indicative. End door position may vary depending on hinge brand.

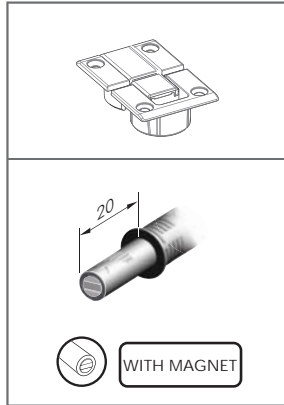


DROP DOWN DOORS

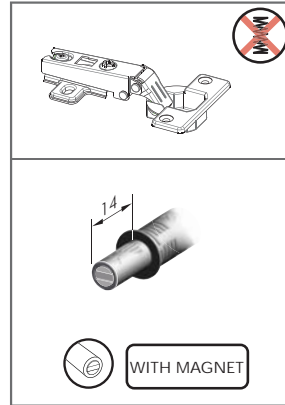


Please note that all technical specifications are based on cabinets assembled only with Italiana Ferramenta products.

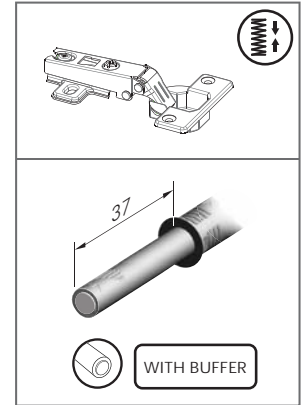
APPLICATION WITH:
KIMANA HINGES



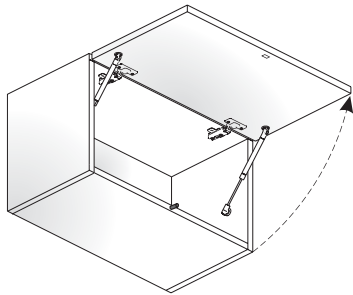
APPLICATION WITH:
UNSPRUNG HINGES



APPLICATION WITH:
SPRUNG HINGES

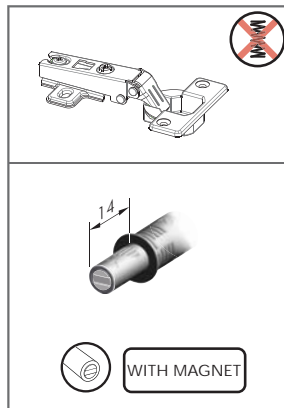


LIFT UP DOORS



Please note that all technical specifications are based on cabinets assembled only with Italiana Ferramenta products.

APPLICATION WITH:
UNSPRUNG HINGES

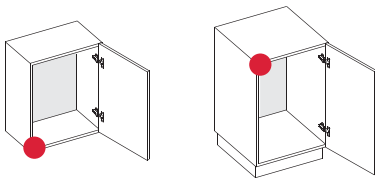


SUGGESTED INSTALLING SPOTS FOR K PUSH TECH

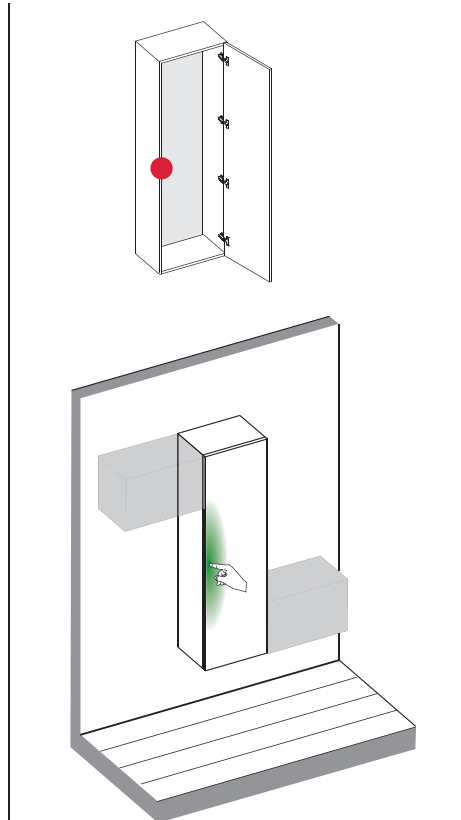
● = K PUSH TECH suggested spot

● = Activating area of K PUSH TECH

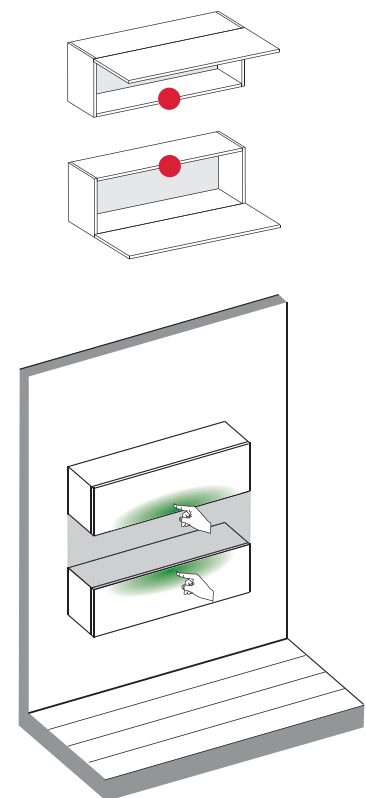
BASE CABINETS AND UPPER CABINETS
WITH HINGED DOORS

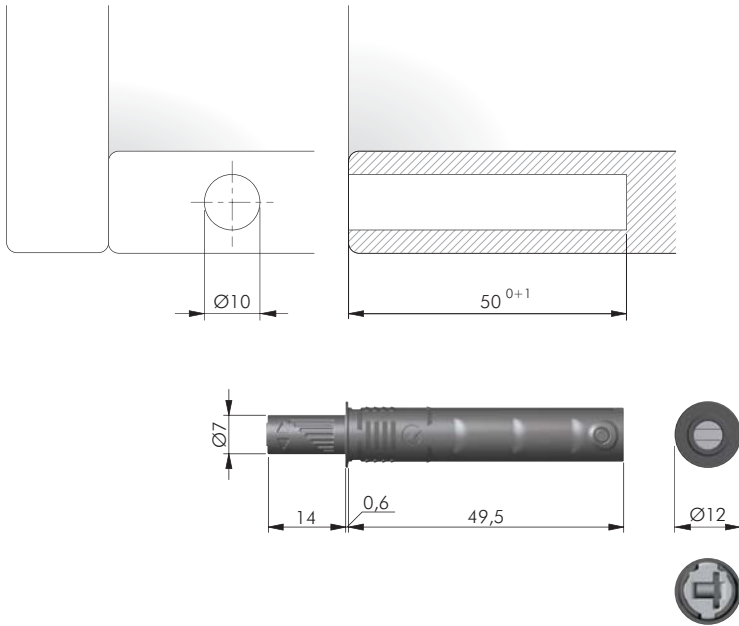






TALL CABINETS WITH HINGED DOORS





BASE CABINETS AND UPPER CABINETS
WITH FLAP DOORS





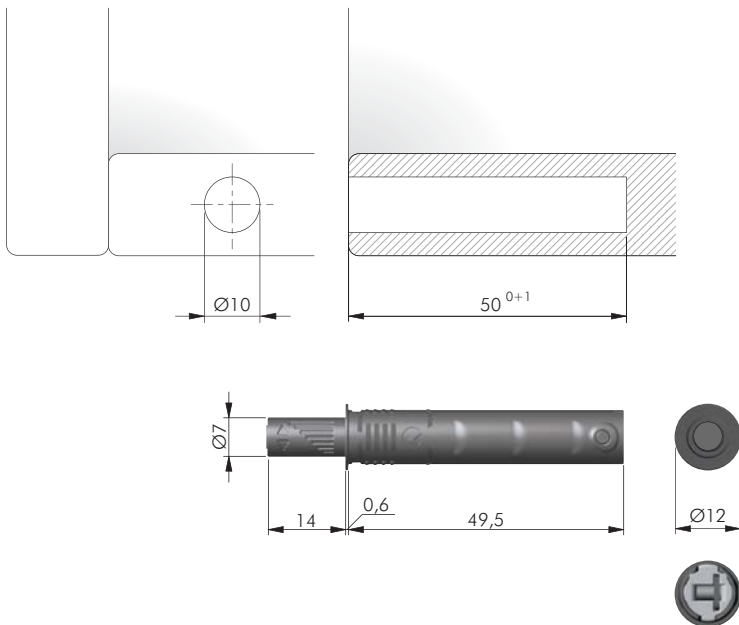

 ST
  EP
  = 100 pcs.






 123 



57002020EE

57002020IJ

57002020AB




 ST
  EP
  SR
  = 100 pcs.

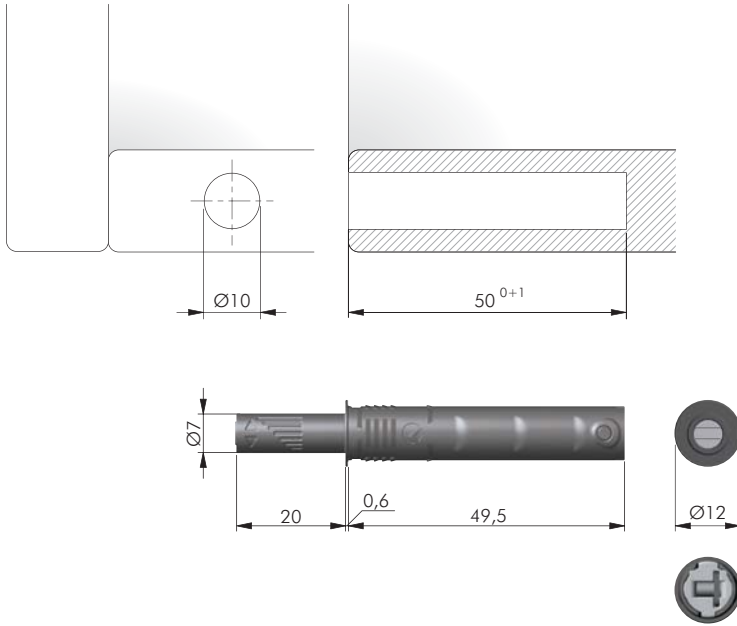
 123 





57002040EE



57002040IJ

57002040AB





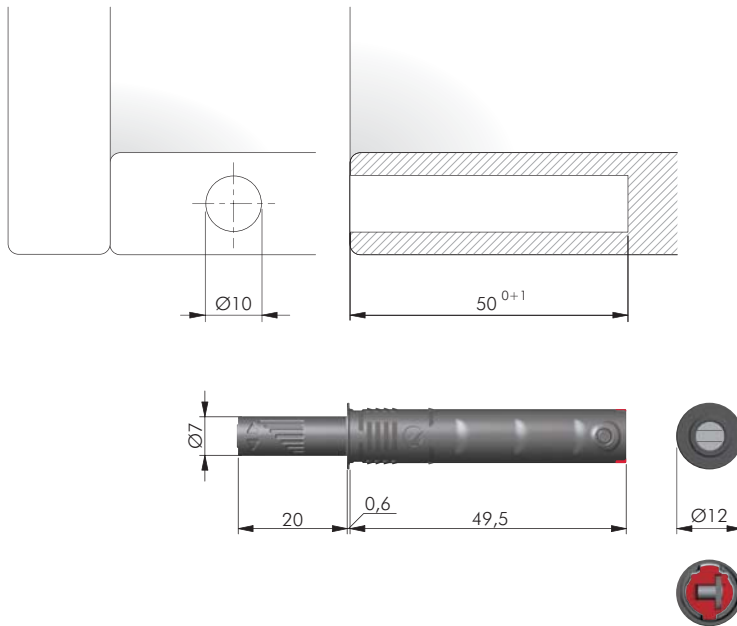



 = 100 pcs.








57004020EE

57004020IJ

57004020AB




STRONG VERSION
 = 100 pcs.

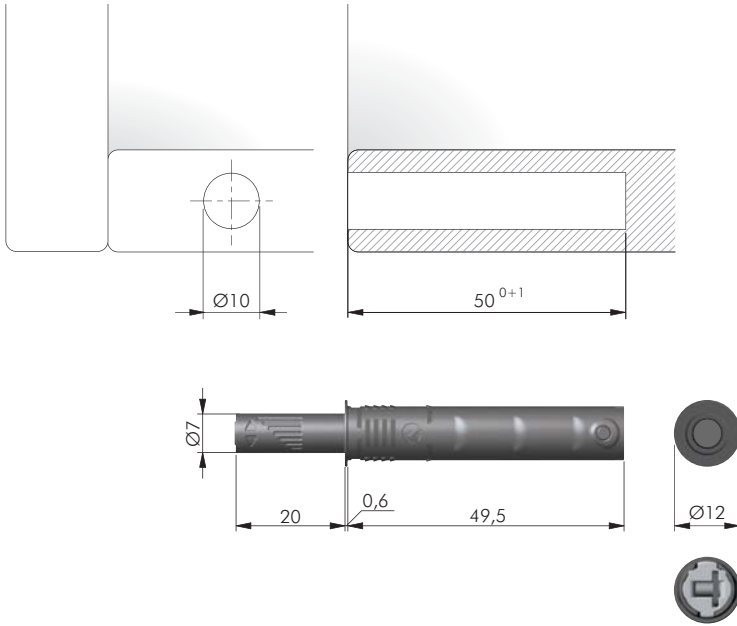




57004060EE

57004060IJ

57004060AB









ST

EP

SR


 = 100 pcs.




57004040EE


57004040IJ


57004040AB





STRONG VERSION


 = 100 pcs.



57004080EE

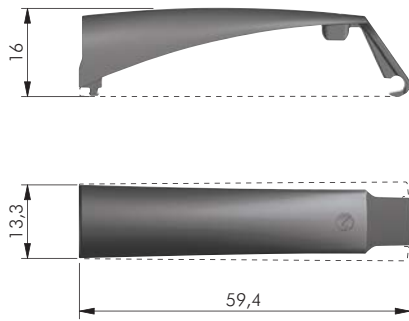
57004080IJ

57004080AB





ADAPTER HOUSING AND PLATE FOR **SHORT** AND **MEDIUM** VERSIONS



EP

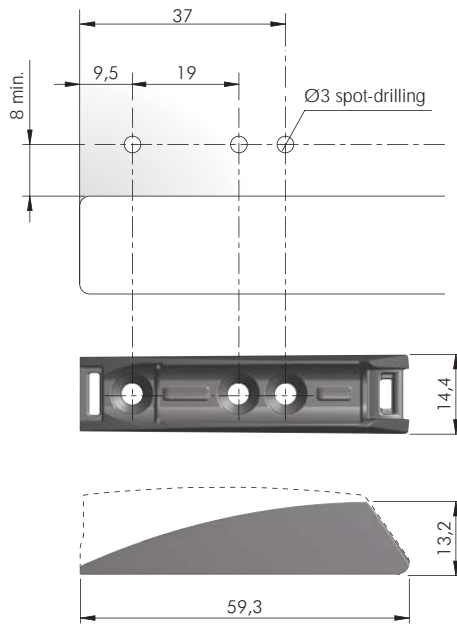
= 100 pcs.



57015020EE

57015020IJ

57015020AB



EP

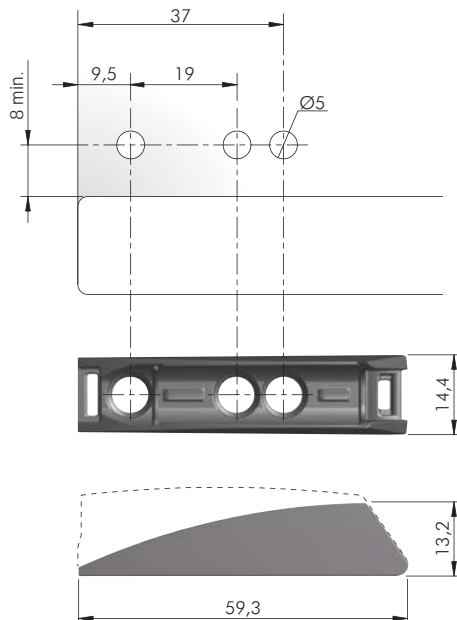
= 100 pcs.



57015040EE

57015040IJ

57015040AB



EP

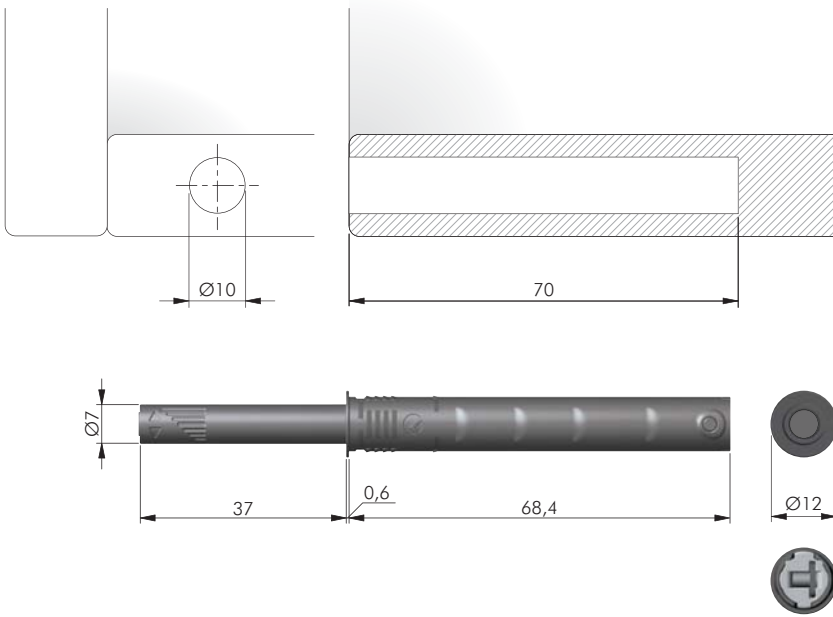
= 100 pcs.










57015060EE

57015060IJ

57015060AB



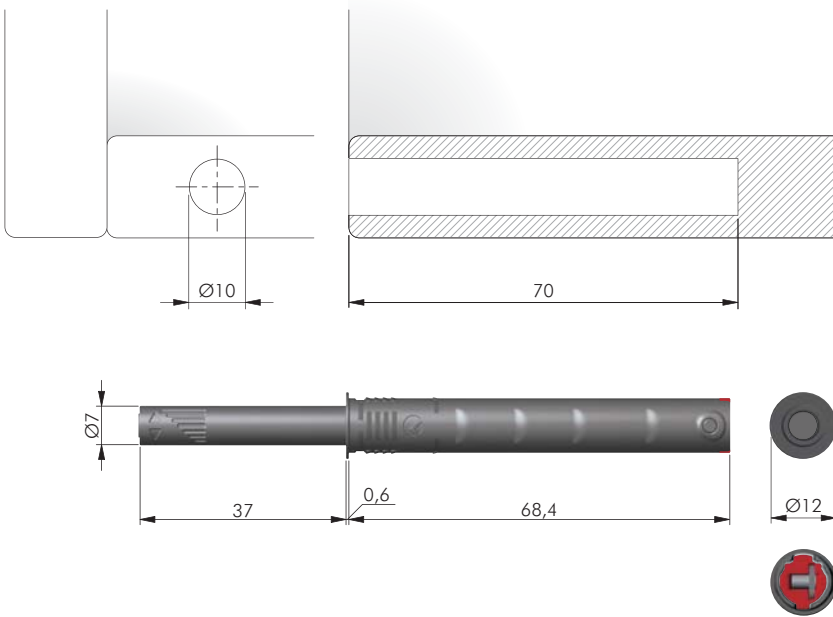




 = 100 pcs.









57008040EE



57008040IJ

57008040AB




STRONG VERSION
 = 100 pcs.

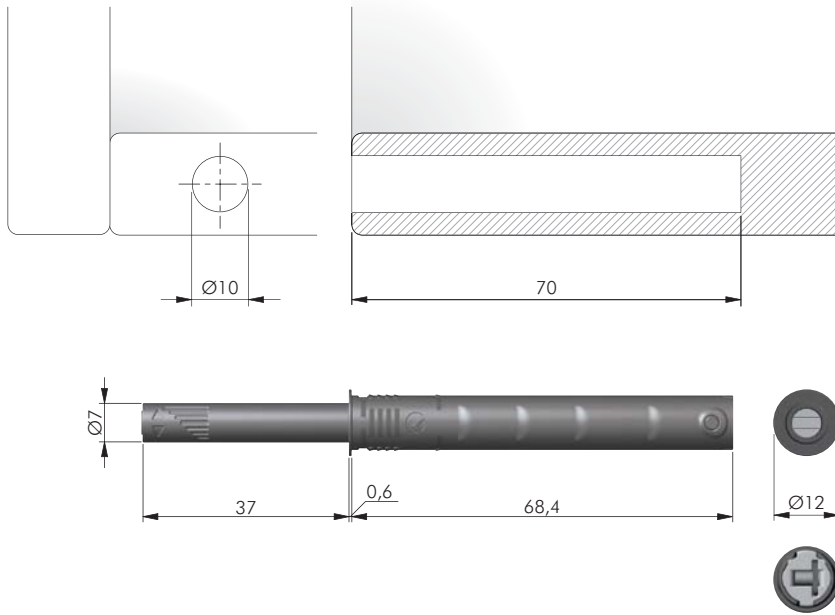







57008080EE



57008080IJ

57008080AB





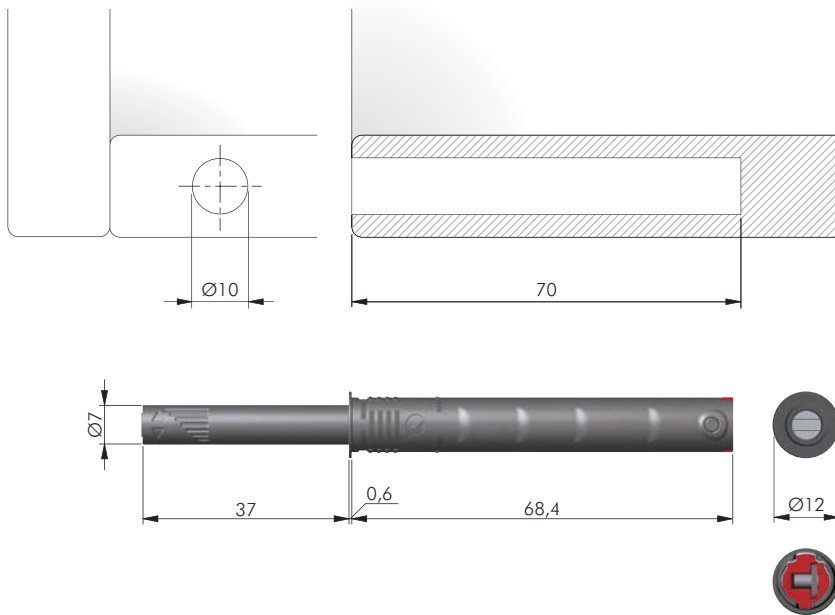



 = 100 pcs.





57008020EE





57008020IJ



57008020AB





STRONG VERSION




 = 100 pcs.

57008060EE

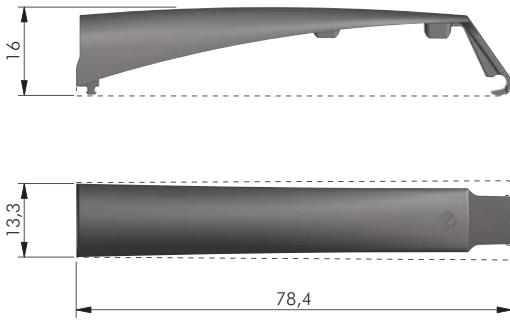
57008060IJ

57008060AB





ADAPTER HOUSING AND PLATE FOR **LONG** VERSION



EP

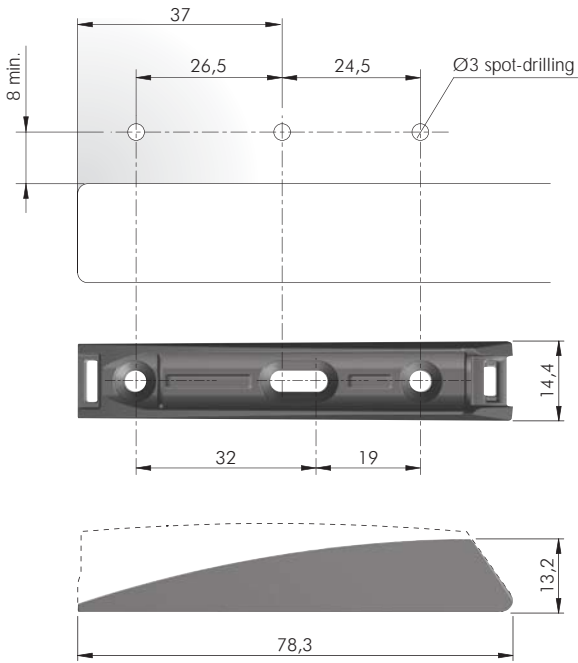
= 100 pcs.



57025020**EE**

57025020**UJ**

57025020**AB**



EP

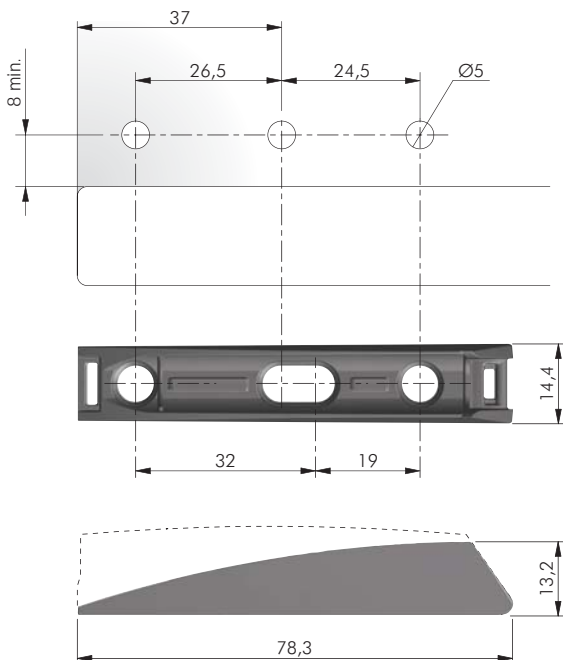
= 100 pcs.



57025040**EE**

57025040**UJ**

57025040**AB**



EP

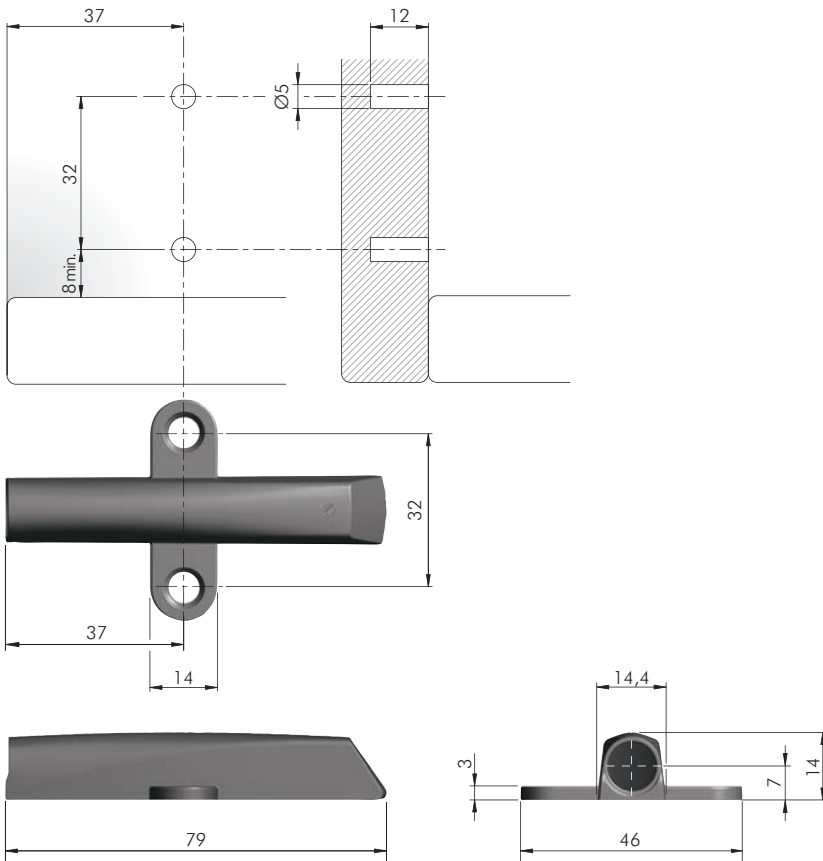
= 100 pcs.



57025060**EE**

57025060**UJ**

57025060**AB**



= Ø 5 mm

EP



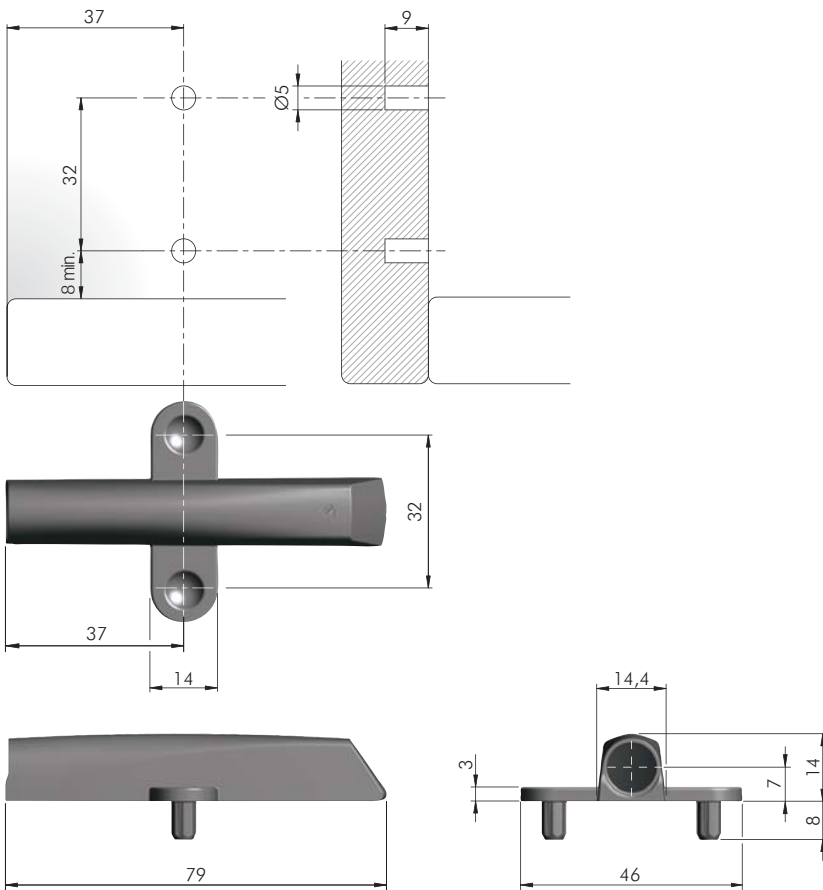
= 500 pcs.



57010080EE

57010080IJ

57010080AB



= Ø 5 mm

EP



= 500 pcs.



57010100EE

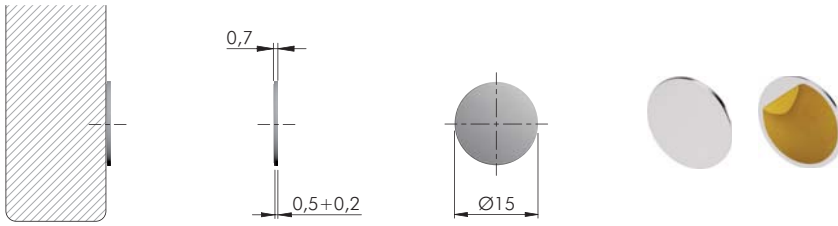
57010100IJ

57010100AB





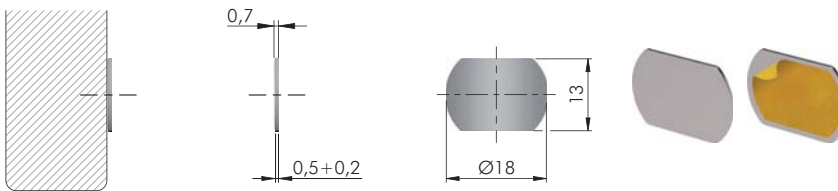
ADHESIVE DOOR PLATES



= 100 pcs.

ST

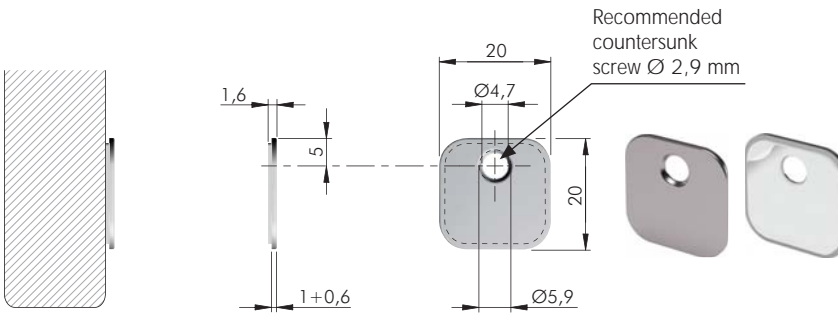
55006160XD



= 100 pcs.

ST

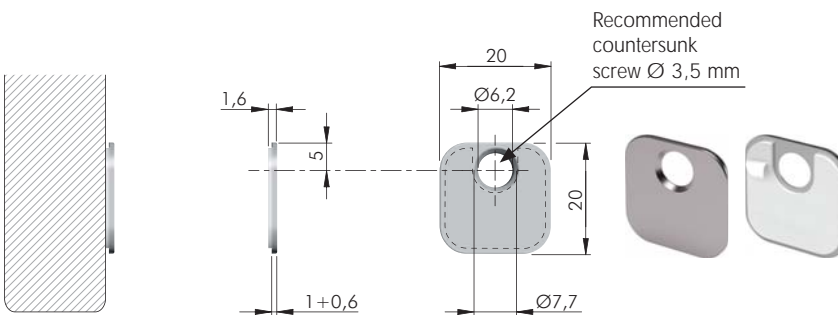
55006200YA



= 100 pcs.

ST

55006210YA



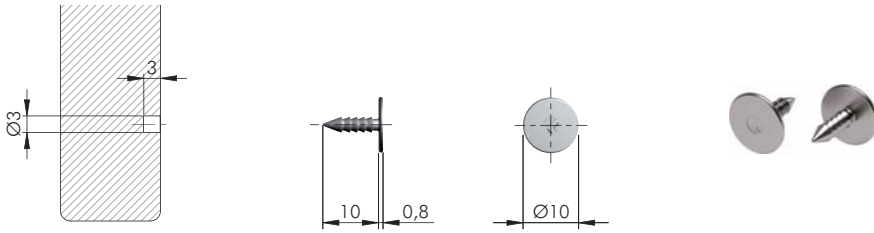
= 100 pcs.

ST

55006240YA



DOOR PLATES



= Ø 3 mm



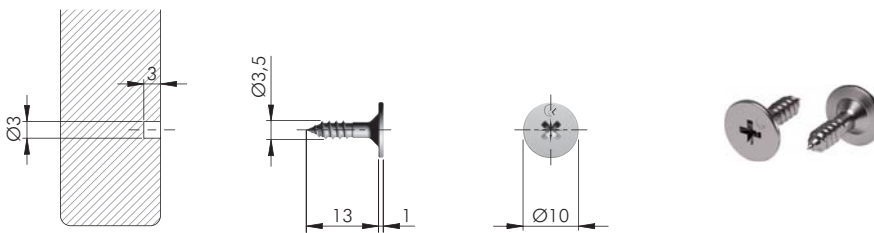
ST



= 100 pcs.



55006030YA



= Ø 3 mm



= PZ2



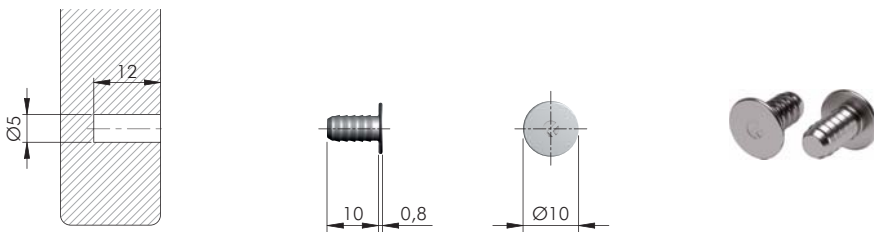
ST



= 100 pcs.



55006100YA



= Ø 5 mm



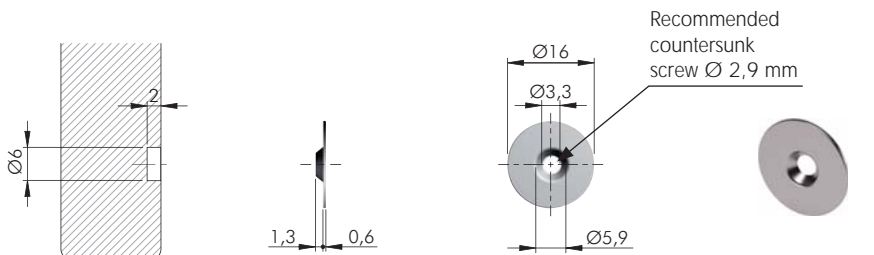
ST



= 100 pcs.



55006040YA



= Ø 6 mm



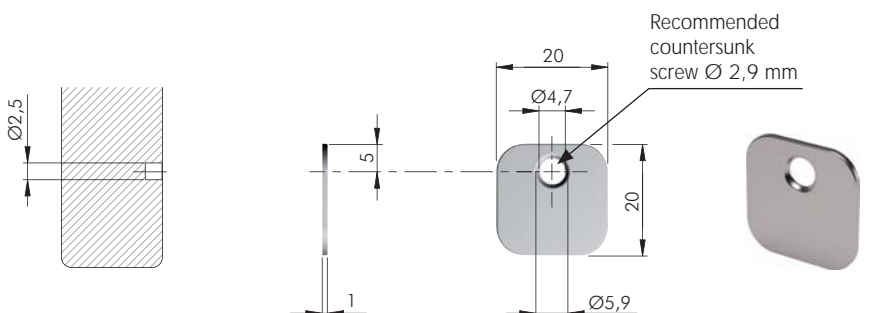
ST



= 100 pcs.



55006130YA



= Ø 2,5 mm



ST



= 100 pcs.

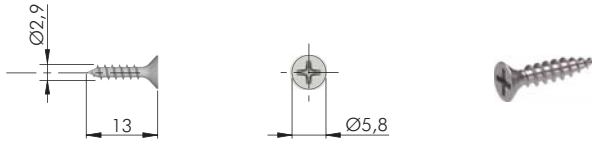


55006120YA





FIXING ACCESSORIES



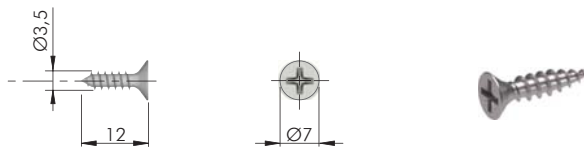
= Ø 2,5 mm

 = PZ1

 = on request

123

60201140YA



= Ø 3,5 mm

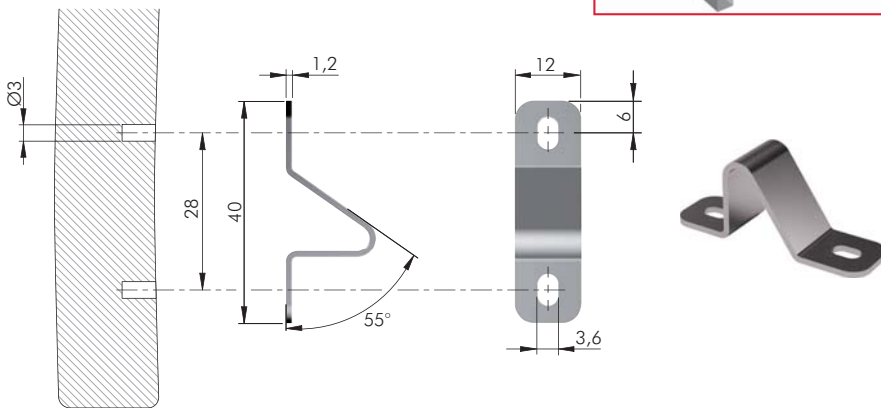
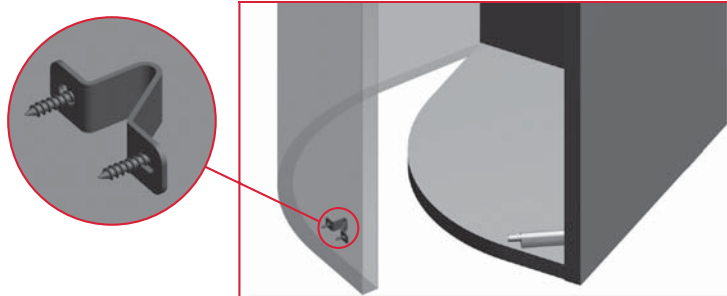
 = PZ1

 = on request

123

60101380YA

PLATE FOR K PUSHTECH WITH ADAPTER HOUSING FOR CURVED DOORS

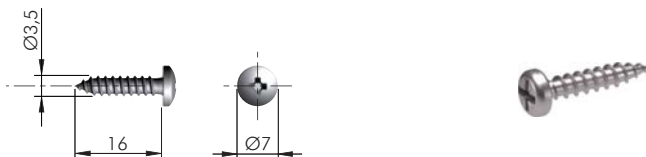


= Ø 3 mm

 = 100 pcs.

123

55006110YA



= Ø 3 mm

 = PZ1

 = on request

123

60103140YA



**FIXING ACCESSORY FOR K PUSH TECH ADAPTER
PLATES PART NO. 57015040, 57025040**



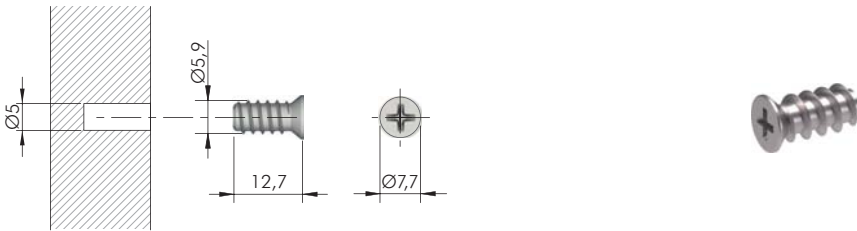
= Ø 3 mm +

= PZ2

ST = 1.000 pcs.

60101390ZN

**FIXING ACCESSORY FOR K PUSH TECH ADAPTER
PLATES PART NO. 57015060, 57025060, 57010080**



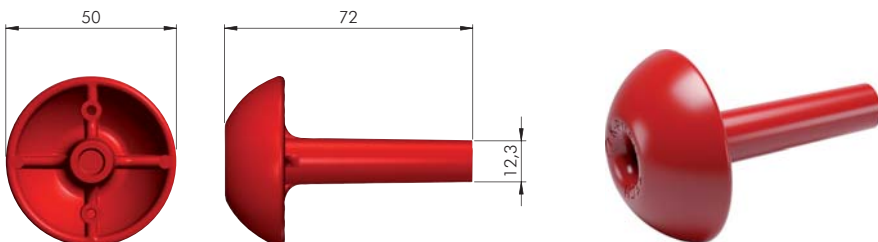
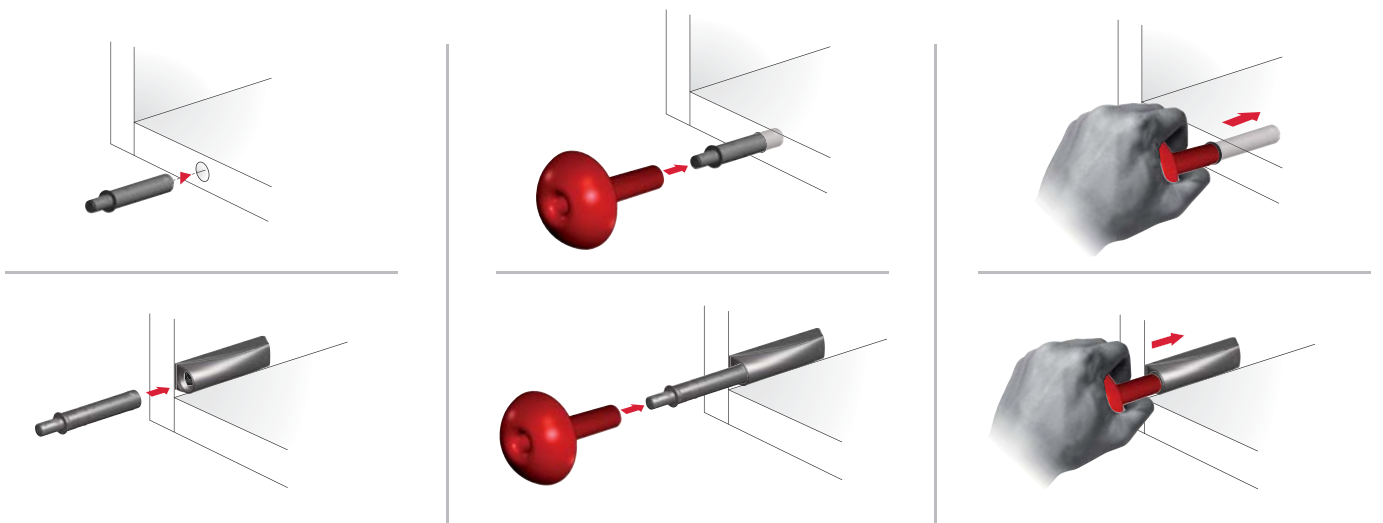
= Ø 5 mm +

= PZ2

ST = 5.000 pcs.

60501050YA

K PUSH TECH INSTALLING TOOL



EP = on request

57112000RO

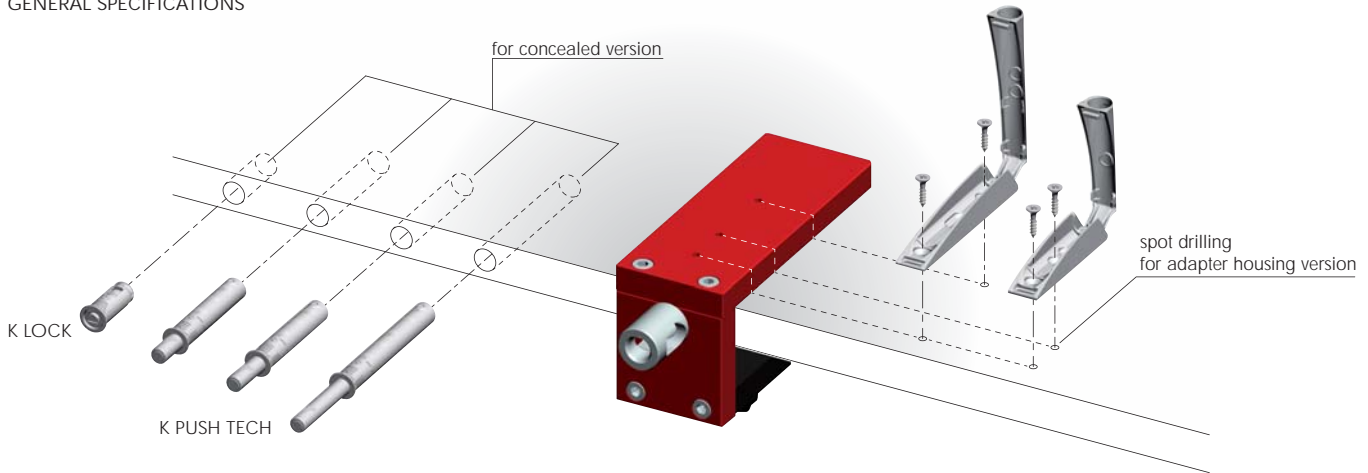


DRILLING JIG FOR K PUSH TECH

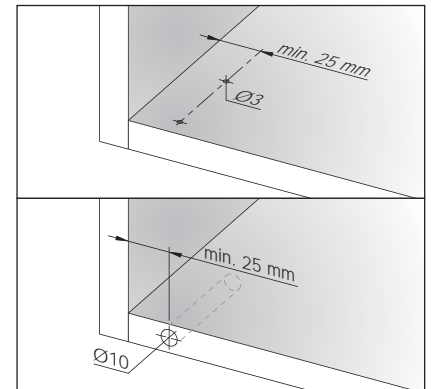
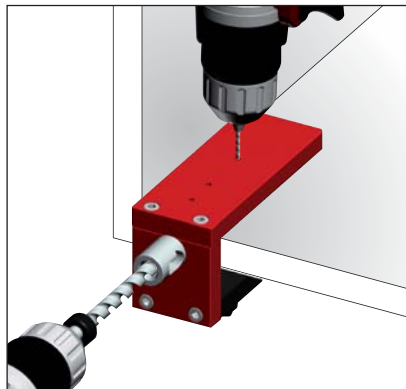
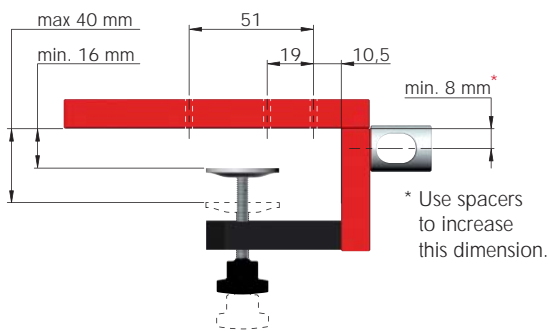


16 - 40 mm

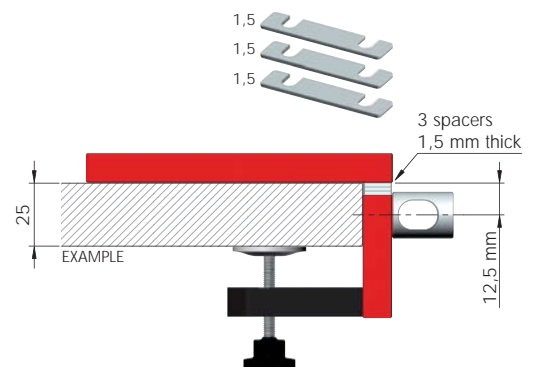
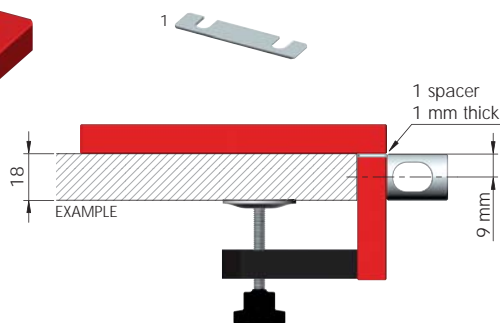
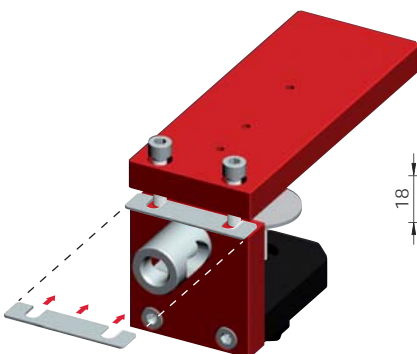
GENERAL SPECIFICATIONS



APPLICATION OPTIONS



DRILLING SPACERS FOR OTHER PANEL THICKNESSES





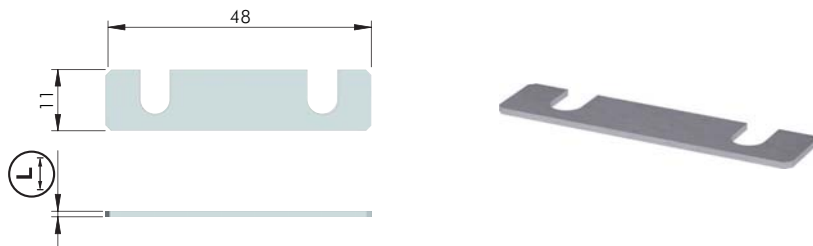
K PUSH TECH DRILLING JIG FOR PANEL THICKNESS 16 AND 18 mm



| | | | |
|------------|----|----|--------------|
| AL | ST | EP | = on request |
| | | | |
| YOJG0110RO | | | |

NOTE: The product code includes all the components shown in the picture.

K PUSH TECH DRILLING JIG ACCESSORIES



| | |
|------------|--------------|
| AL | = on request |
| | |
| YOJG0523GR | 1 |
| YOJG0524GR | 1,5 |

DRILLING JIG DEPTH STOP COLLARS



| | |
|------------|--------------|
| ST | = on request |
| | |
| YOJG051800 | Ø10 |

DRILL BIT



| | |
|------------|--------------|
| HSS | = on request |
| | |
| YOJG052900 | |

NOTE: For drilling jig we recommend to use precision-ground steel drill bit HSS-G.





SYMBOLS



= SHELF SAFELY LOCKED DURING
TRANSPORTATION AND AT HOME.



= ANTI-TURNOVER LOCKING SYSTEM



= NORMS / PATENTS



= PHILLIPS / POZIDRIV



= WITH BUFFER



= PART NO.



= BLADE SLOT



= WITH MAGNET



= PCS. PER PACKAGE



= COMBI SLOT



= HEXAGONAL SOCKET



= NEWTON



= CAPACITY LOADING



= HEXALOBULAR SOCKET



= FRICTION



= WOOD / GLASS
THICKNESS



= COUNTERSUNK HEAD



= AUTOMATIC



= HOLE DIAMETER



= PAN HEAD



= DROP DOWN



= DIAMETER



= FLANGE HEAD



= LENGTH



= FLAT HEAD



= STANDARD HINGE



= HEIGHT



= TRILOBULAR SCREW



= KIMANA HINGE



= RIGHT VERSION



= SELF-TAPPING SCREW



= FLAP HINGE



= LEFT VERSION



= EURO THREAD



= WITH SPRING



= SETTING CODE



= METRIC THREAD



= WITHOUT SPRING



= PCS. PER PAD



= PRE-INSERTED SCREW



= REVERSED SPRING



= CUT ON REQUEST



= PRE-INSERTED SCREW
AND SPREADING BUSH



= SELF ADHESIVE



= WITH FLANGE

MATERIALS

| | | | | | |
|--|---------------------------------|--|-------------------|--|--|
| ZA = Zinc Alloy | ST = Steel | HSS = High Speed Steel | BR = Brass | ABS = Acrylonitrile Butadiene Styrene | TPU = Thermoplastic Polyurethane |
| ZAnk = Nickel-plated Zinc Alloy | STzk = Zinc-plated Steel | AL = Aluminium | WD = Wood | EVA = Ethylene Vinyl Acetate | |
| EP = ENGINEERING PLASTIC | | + EP = other engineering plastic available on request | | SR = SOFT RUBBER | + SR = other soft rubber available on request |

| | | |
|--|---|----------------------------------|
| EPn = Natural Engineering Plastic | EPc = Clear Engineering Plastic | SRn = Natural Soft Rubber |
| EPw = White Engineering Plastic | EPg = Grey Engineering Plastic | SRw = White Soft Rubber |
| EPb = Black Engineering Plastic | EPa = Anthracite Engineering Plastic | SRb = Black Soft Rubber |

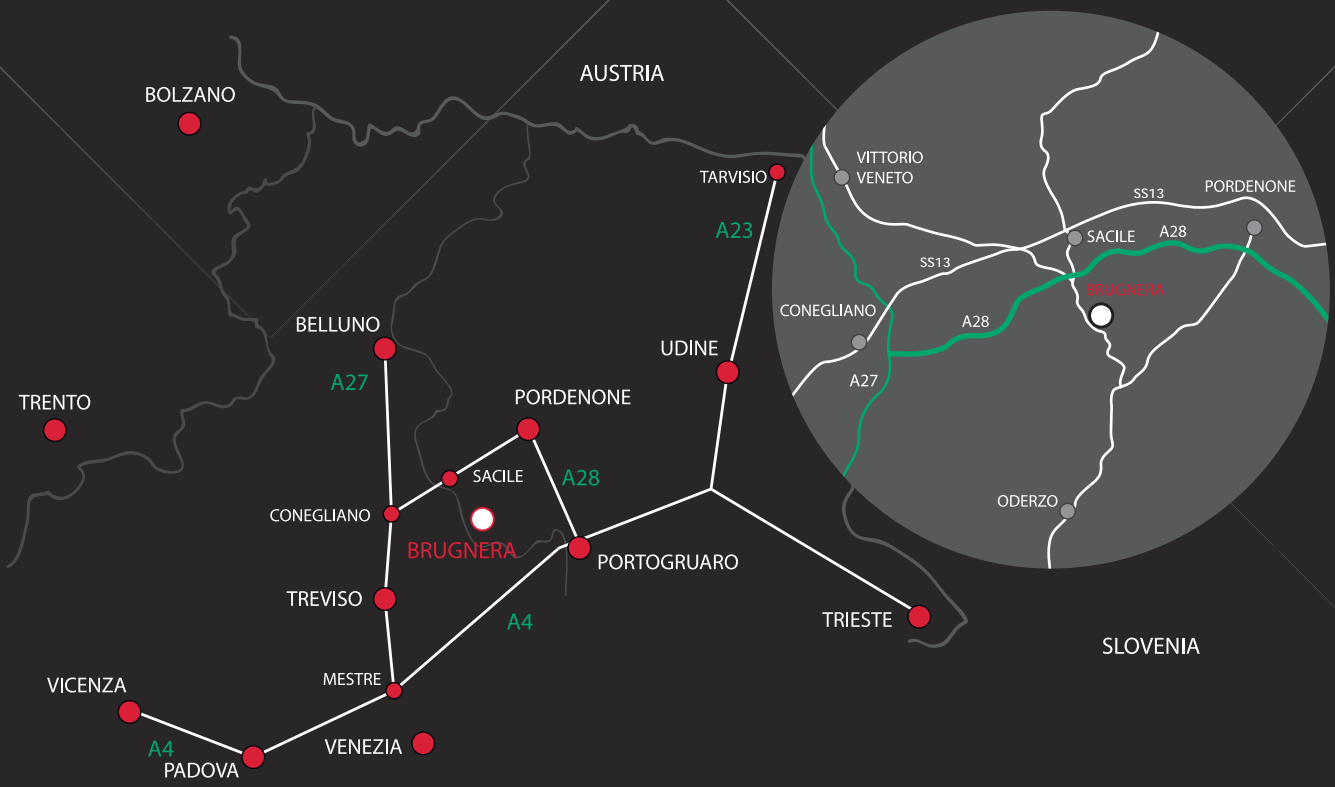


FINISHES



+ OTHER FINISHES AVAILABLE ON REQUEST

| PART NO. | FINISHES | PART NO. | FINISHES | PART NO. | FINISHES |
|----------|----------------------|----------|----------------------|----------|------------------------------|
| 00 | Insignificant finish | IF | Grey 7 | XE | Inox |
| AA | Natural | IJ | Light Grey | YA | Nickel-plated |
| AB | White | IL | Grey 20 | YC | Matt Nickel-plated |
| AE | White 9010 | IN | Grey met. 26 | YD | Satin-finished Nickel-plated |
| EA | Black | JG | Aluminium 5 | YQ | Black Nickel |
| EC | Matt Black | JL | Aluminium PE 11 | Z9 | Black Zinc |
| EE | Anthracite | JM | Aluminium RAL 9006 | ZN | Zinc-plated |
| EW | Grey 9007 | KB | Bright Chrome | ZQ | Bright Gold |
| FU | Gunmetal | KC | Matt Chrome | ZZ | Clear/Transparent |
| FV | Gunmetal V52 | LD | Brown 8019 | | |
| GR | Zamak Raw | RO | Red | | |
| HA | Brass-Plated | UT | T-Met 9007 | | |
| HH | Tropicalized | UZ | T-Met | | |
| HL | Raw Brass | WA | Bronzed | | |
| HX | Graphite | WI | Burnished | | |
| IA | Grey | XD | Satin-finished Steel | | |



www.italianaferramenta.com